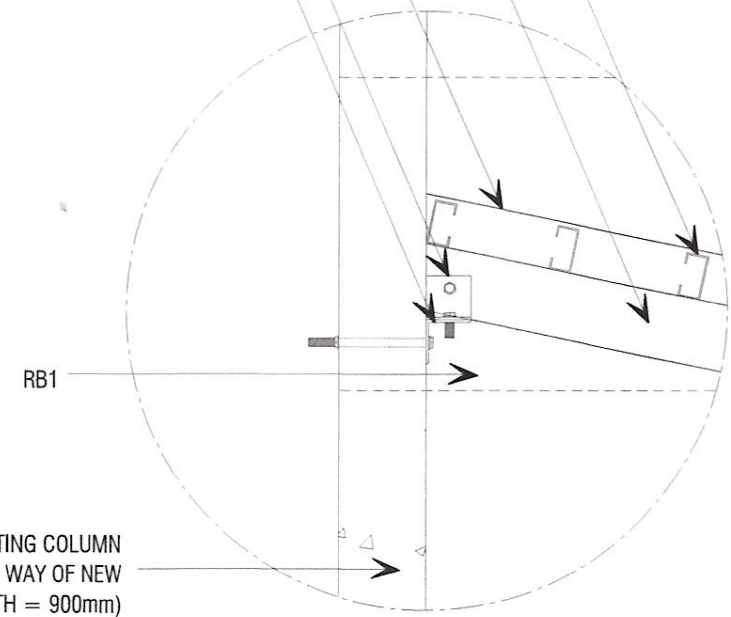


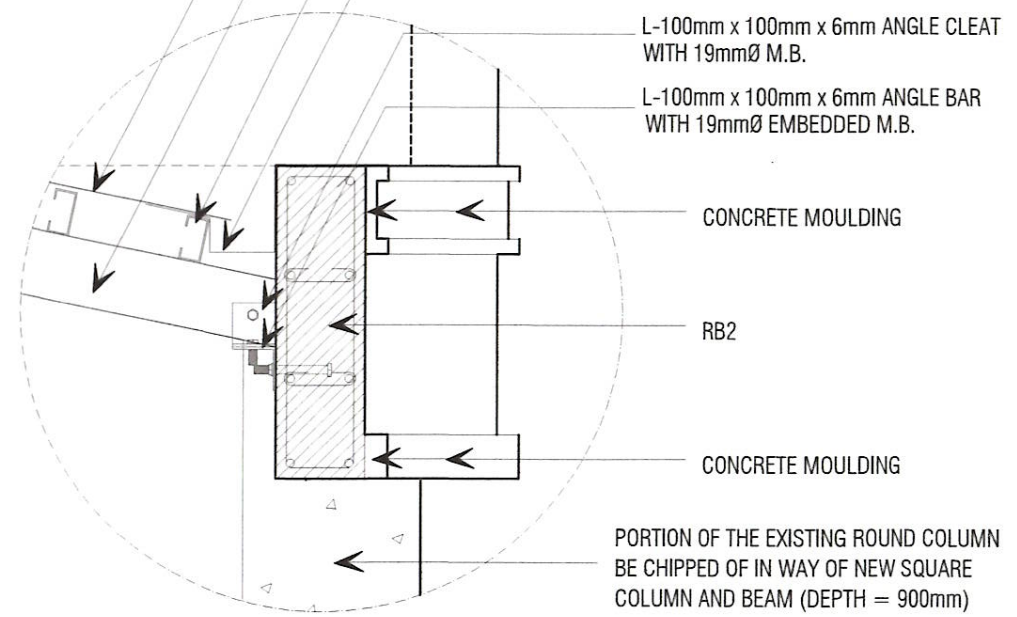
1 CI-F1 DETAIL
SCALE 1:20 M.

- 50mm x 100mm x 1.90mm C-PURLINS SPACED @ 0.30M. O.C.
- 50mm x 150mm x 1.90mm C-RAFTER SPACED @ 1.50M. O.C.
- NEW ROOF GA. 24 (RIB TYPE)
- L- 100mm x 100mm x 6mm ANGLE BAR WITH 19mmØ M.B.
- 100mm x 100mm x 6mm ANGLE CLEAT WITH 19mmØ M.B.

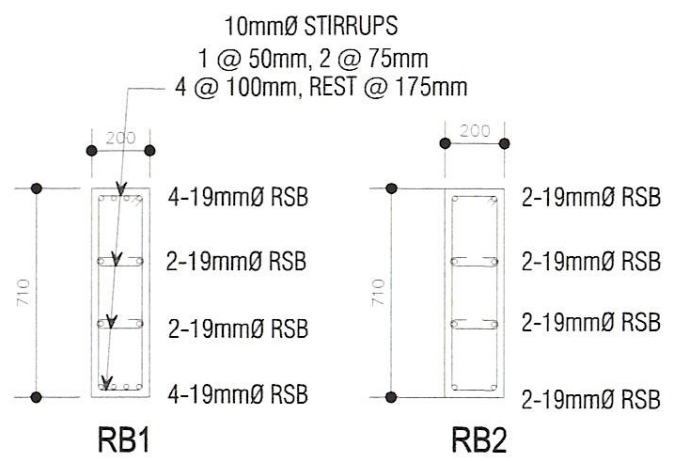


3 SPOT DET.
NOT TO SCALE

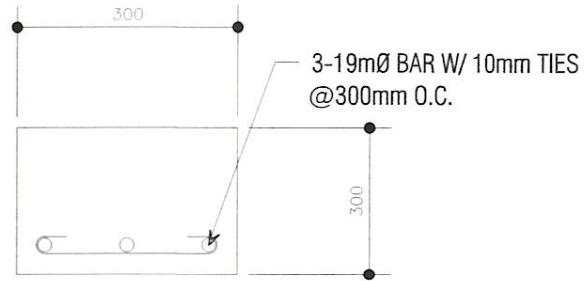
- NEW ROOF GA. 24 (RIB TYPE)
- 50mm x 150mm x 1.90mm C-RAFTER SPACED @ 1.50M. O.C.
- 50mm x 100mm x 1.90mm C-PURLINS SPACED @ 0.30M. O.C.
- NEW CONCEALED PRE-PAINTED G.I. GUTTER, GA. 24
- L-100mm x 100mm x 6mm ANGLE CLEAT WITH 19mmØ M.B.
- L-100mm x 100mm x 6mm ANGLE BAR WITH 19mmØ EMBEDDED M.B.



5 SPOT DET.
NOT TO SCALE



2 BEAM DETAIL
SCALE 1:25 M.



4 TIE BEAM DETAIL
SCALE 1:10M.

SATISFACTORY TO:	
KENNETH LEMUEL G. REMENTILLA DA FOR BUSINESS GROUP	
PROJECT TITLE:	SHEET NO.
PROPOSED ONE-STOP SHOP AT BLDG. 332	S3
LOCATION: BURGOS STREET CBD AREA, SBFZ	19 OF 23



CADD BY/DATE:	CHECKED BY:	REVIEWED BY:	RECOMMENDED:	APPROVED:	SUBIC BAY METROPOLITAN AUTHORITY SUBIC BAY FREEPORT ZONE
DESIGNED:	<i>[Signature]</i>	<i>[Signature]</i>	<i>[Signature]</i>	<i>[Signature]</i>	
RLS	EDISON D. ICO DIV CHIEF III, PDD	GARY P. FERNANDEZ MANAGER, ENG'G DEPT	MARCO A. ESTABILLO DA FOR PWT&G	ATTY. WILMA T. EISMA CHAIRPERSON & ADMINISTRATOR	