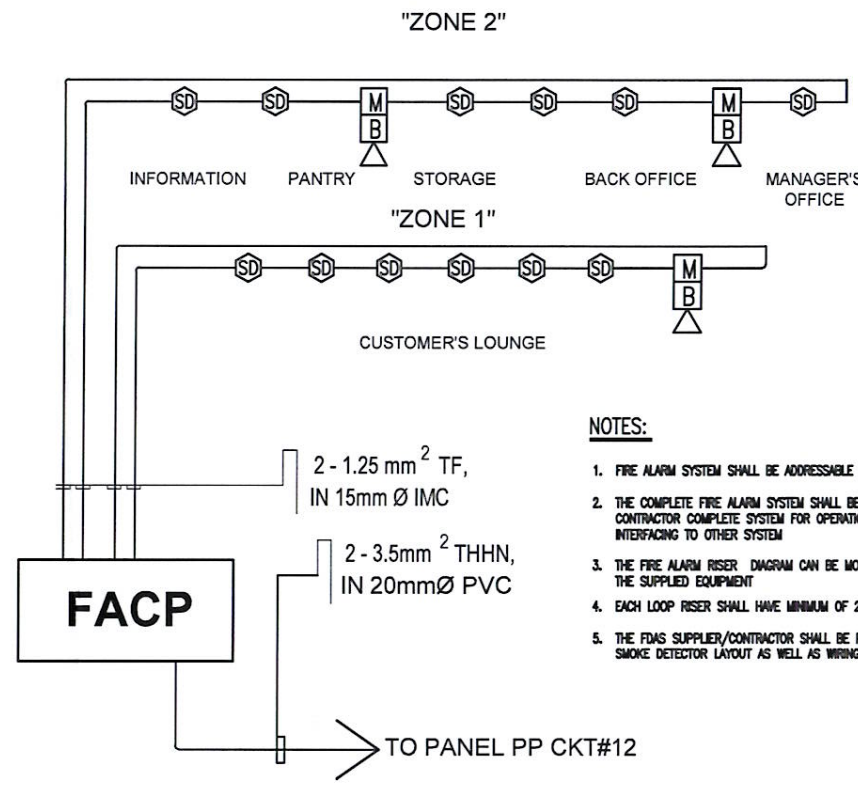
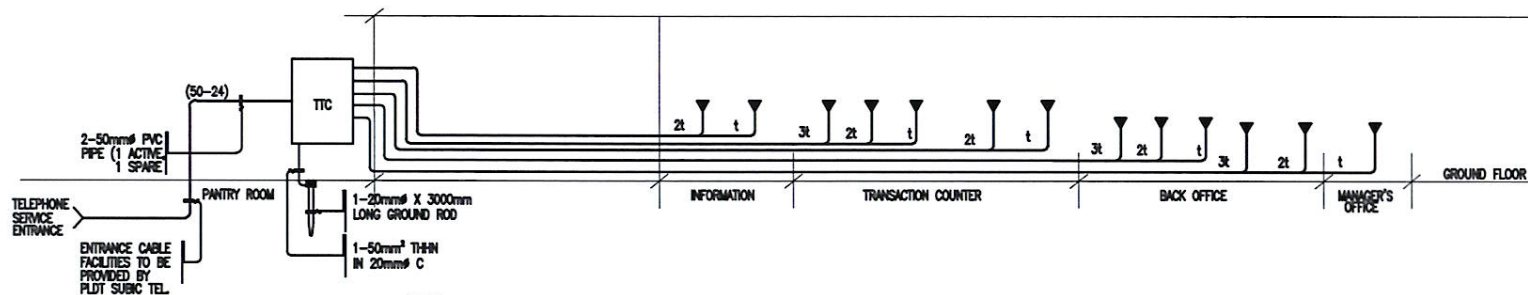


TYPES OF WIRE	CONDUIT CAPACITY FOR TELEPHONE WIRE		
	20 MM DIA.	25 MM DIA.	32 MM DIA.
CAT. 5e, CABLE "Y"	1 - 3	4 - 6	7 - 9

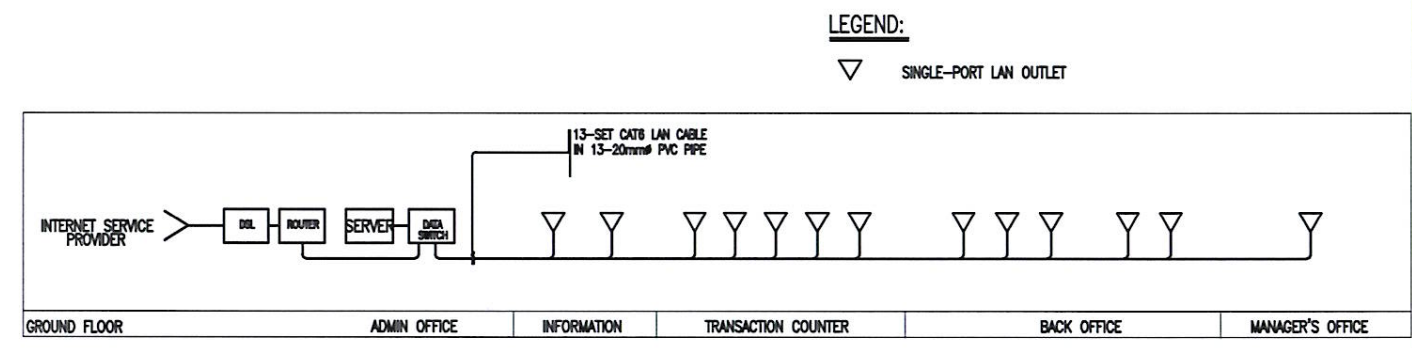
"2" "Y" DENOTES FOUR PAIRS TELEPHONE WIRE, NUMBER DENOTES NUMBER OF RUNS.

LEGEND
▽ - TELEPHONE

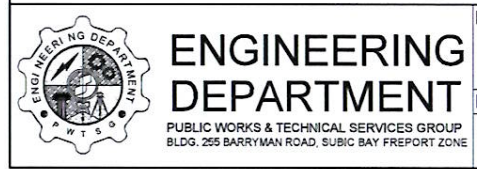


LEGEND:
 SD SMOKE DETECTOR
 M B MANUAL PULL STATION AND FIRE ALARM BELL
 FACP FIRE ALARM CONTROL PANEL
 a DENOTES 1 RUN OF 1.61F TWISTED PAIR WIRE IN 15mm Ø IMC CONDUIT (HOMERUN TO PULLBOX LOCATED @ RECEPTION)

- NOTES:**
- FIRE ALARM SYSTEM SHALL BE ADDRESSABLE & PROGRAMMABLE TYPE WITH CLASS A WIRING
 - THE COMPLETE FIRE ALARM SYSTEM SHALL BE FURNISHED/INSTALLED BY FIRE ALARM CONTRACTOR COMPLETE SYSTEM FOR OPERATION INCLUDING WIRING DEVICES, EQUIPMENT & INTERFACING TO OTHER SYSTEM
 - THE FIRE ALARM RISER DIAGRAM CAN BE MODIFY BY CONTRACTOR/SUPPLIER TO SUIT WITH THE SUPPLIED EQUIPMENT
 - EACH LOOP RISER SHALL HAVE MINIMUM OF 250 ADDRESSABLE DETECTOR.
 - THE FDAS SUPPLIER/CONTRACTOR SHALL BE PROPERLY COORDINATED IN ANY CHANGES IN THE SMOKE DETECTOR LAYOUT AS WELL AS WIRING CONNECTIONS.



LEGEND:
▽ SINGLE-PORT LAN OUTLET



DRAFT/CAD: NVC	CHECKED BY: EDISON D. ICO, DIV CHIEF III, PDD	REVIEWED BY: GARY P. FERNANDEZ, MANAGER, ENGINEERING DEPT	RECOMMENDED: MARCO A. ESTABILLO, DA FOR PWTSG	APPROVED BY: ATTY. WILMA T. EISMA, CHAIRMAN & ADMINISTRATOR
----------------	---	---	---	---



SATISFACTORY TO: KENNETH LEMUEL G. REMENTILLA , DA FOR BUSINESS GROUP	
PROJECT TITLE: ONE STOP SHOP BLDG. 332	SHEET NO. E3
LOCATION: BURGOS ST., CBD AREA, SBFZ	
23 of 23	