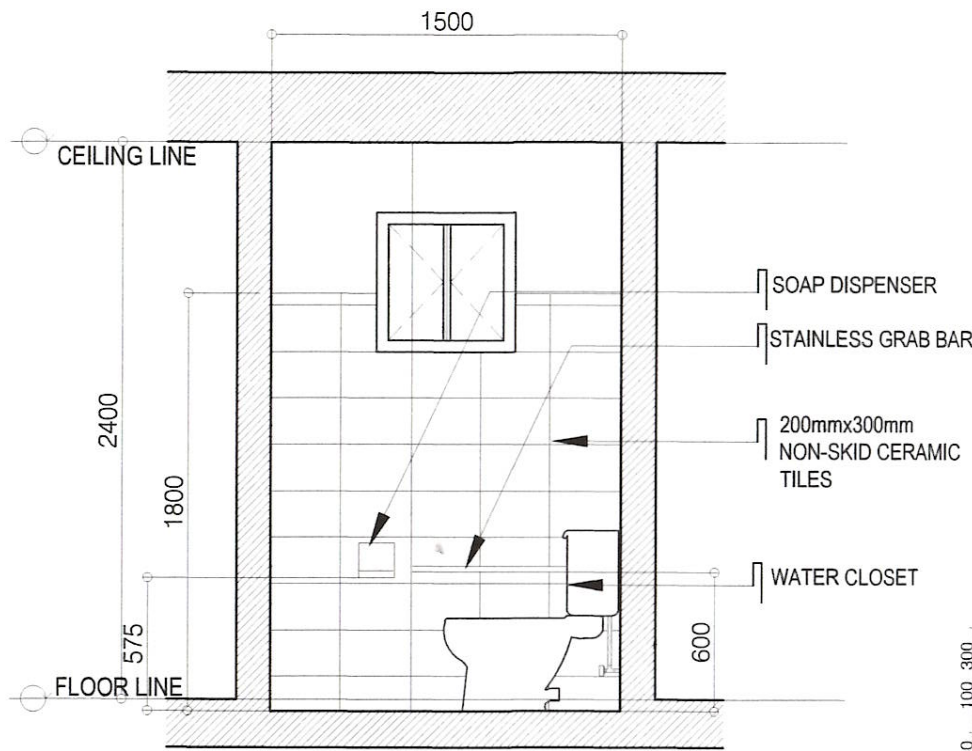
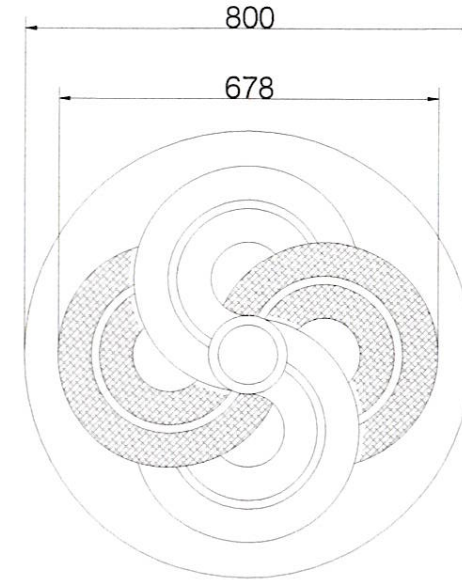


1 TYPICAL TOILET PLAN
A11 A11 SCALE 1:30mts



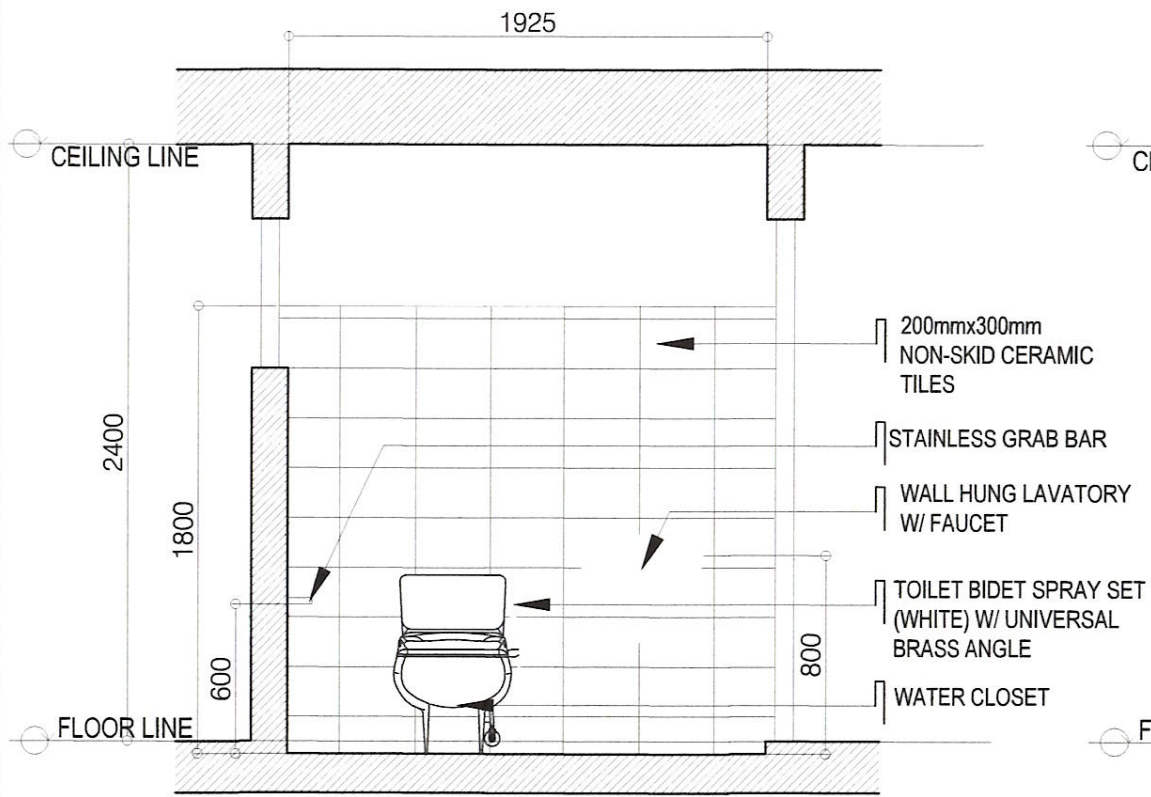
2 ELEVATION @ A
A11 A11 SCALE 1:30mts



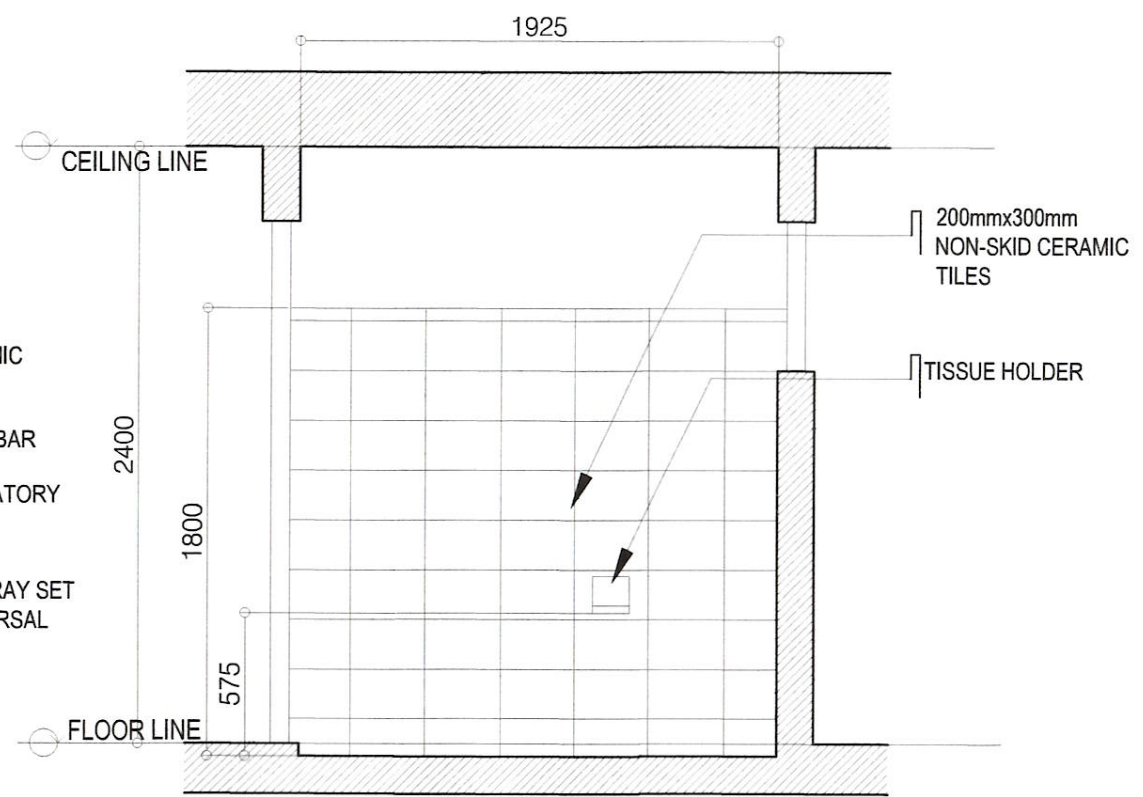
3 SIGNAGE & LOGO DETAIL
A11 A11 NOT TO SCALE

NOTE:
LOGO & SIGNAGE SHALL BE PAINTED FINISH, TO BE PAINTED BY MAINTENANCE & TRANSPORTATION DEPARTMENT AFTER CONSTRUCTION.

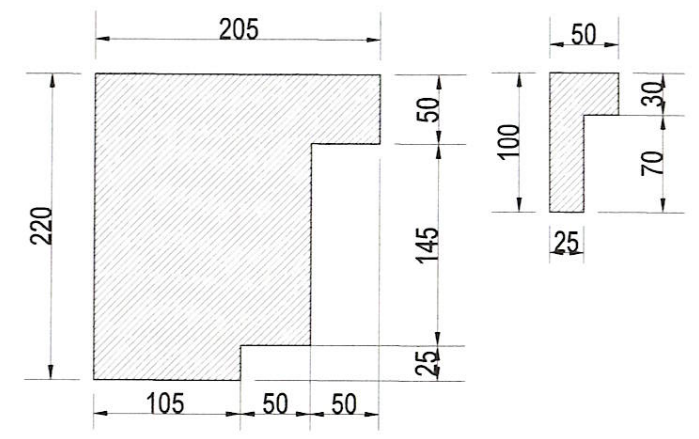
ONE STOP ACTION CENTER
SUBIC BAY METROPOLITAN AUTHORITY



4 ELEVATION @ B
A11 A11 SCALE 1:30mts



5 ELEVATION @ C
A11 A11 SCALE 1:30mts



6 SECTION DETAIL OF MOULDING
A11 A11 NOT TO SCALE

SATISFACTORY TO:
KENNETH LEMUEL G. REMENTILLA
DA FOR BUSINESS GROUP



SURVEY/CADD: JPC/ABF
DESIGNED BY: JPC

CHECKED BY: *Edison D. Ico*
EDISON D. ICO
DIVISION CHIEF III, PDD

REVIEWED BY: *Gary P. Fernandez*
GARY P. FERNANDEZ
MANAGER, ENGINEERING DEPT

RECOMMENDED BY: *Marco A. Estabillo*
MARCO A. ESTABILLO
DA FOR PWTSG

APPROVED BY: *Atty. Wilma T. Eisma*
ATTY. WILMA T. EISMA
CHAIRMAN & ADMINISTRATOR



PROJECT TITLE: ONE STOP SHOP BLDG. 332
LOCATION: BURGOS STREET CBD AREA, SBFZ

SHEET NO. **A11**
12 of 23