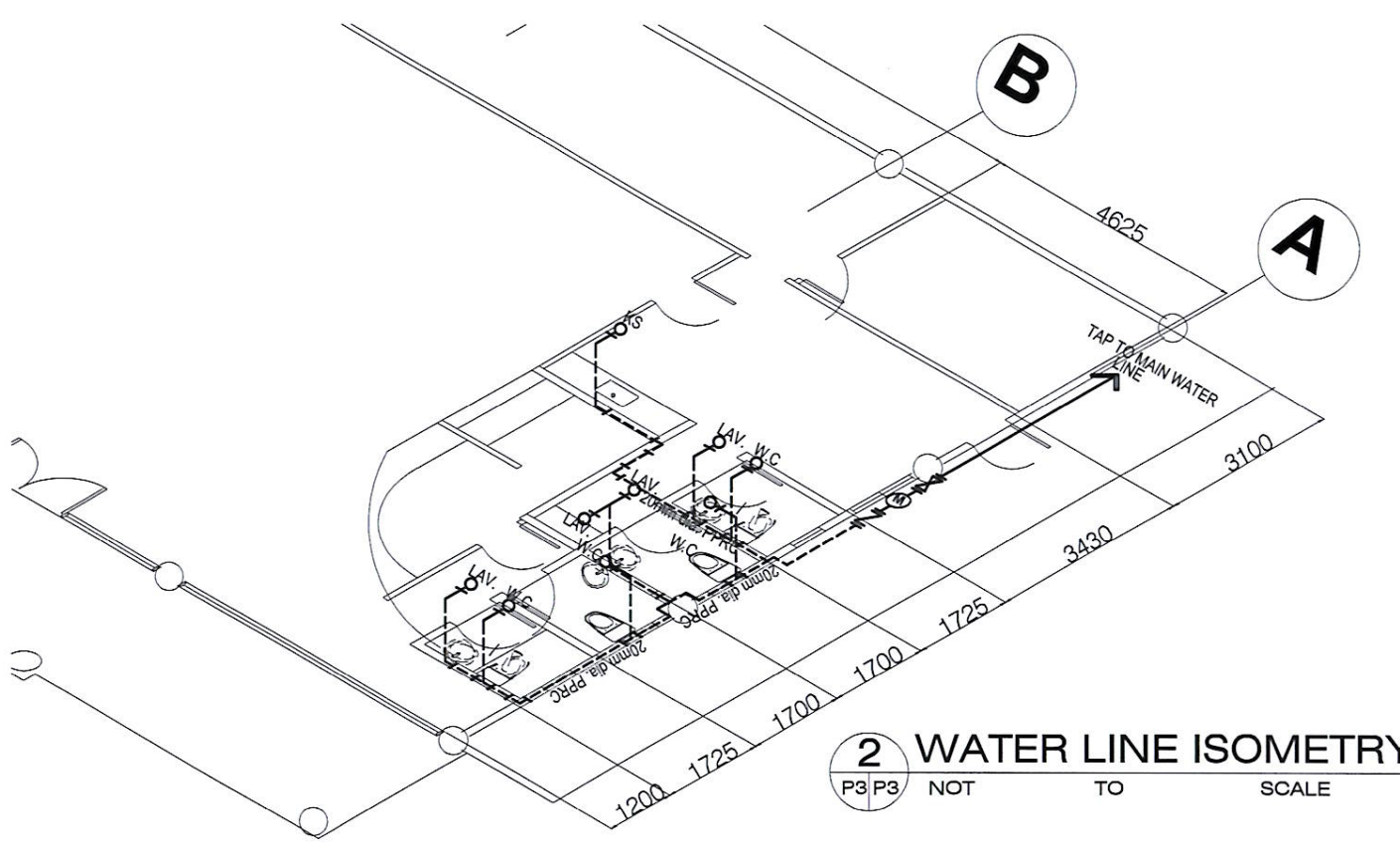
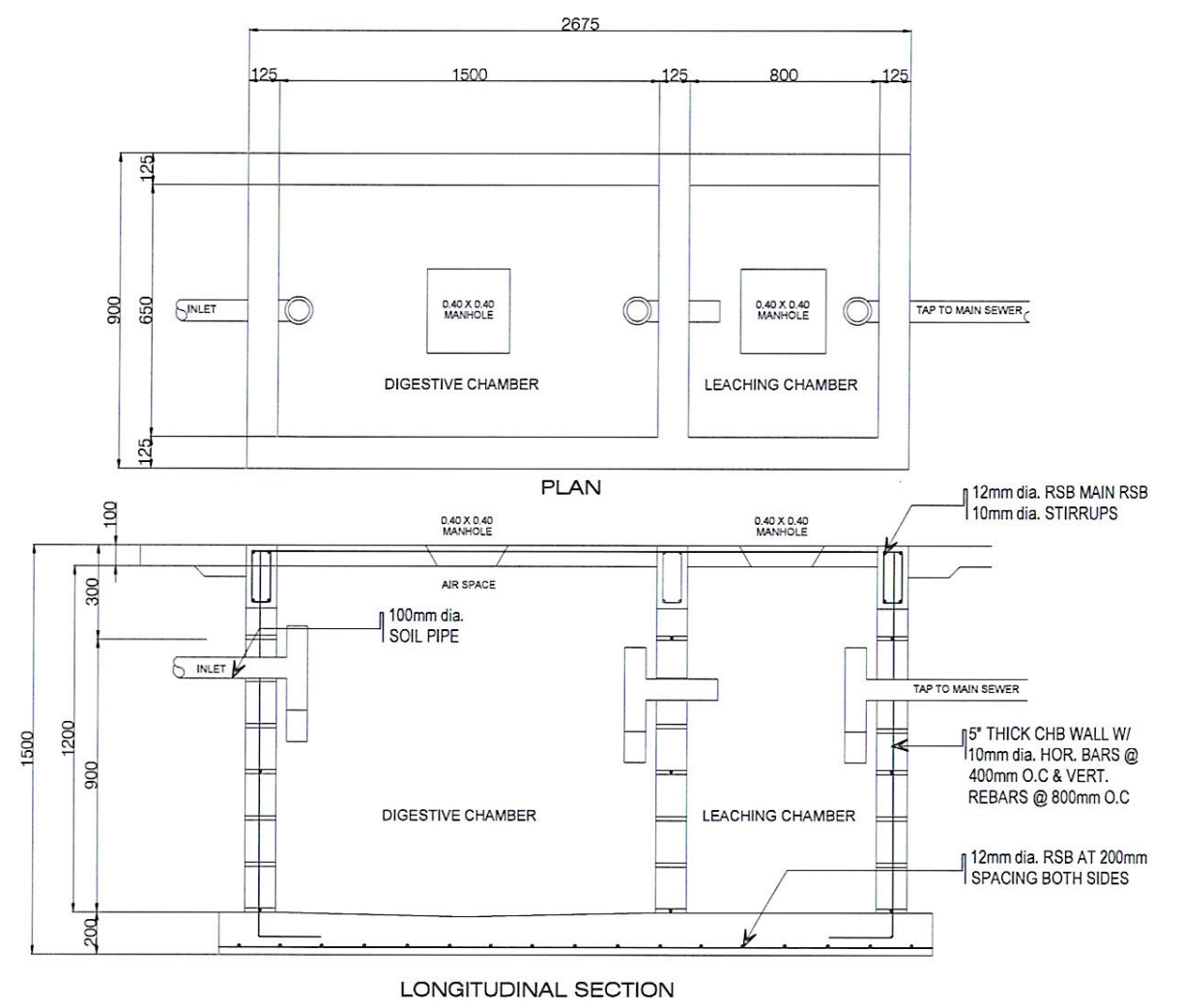


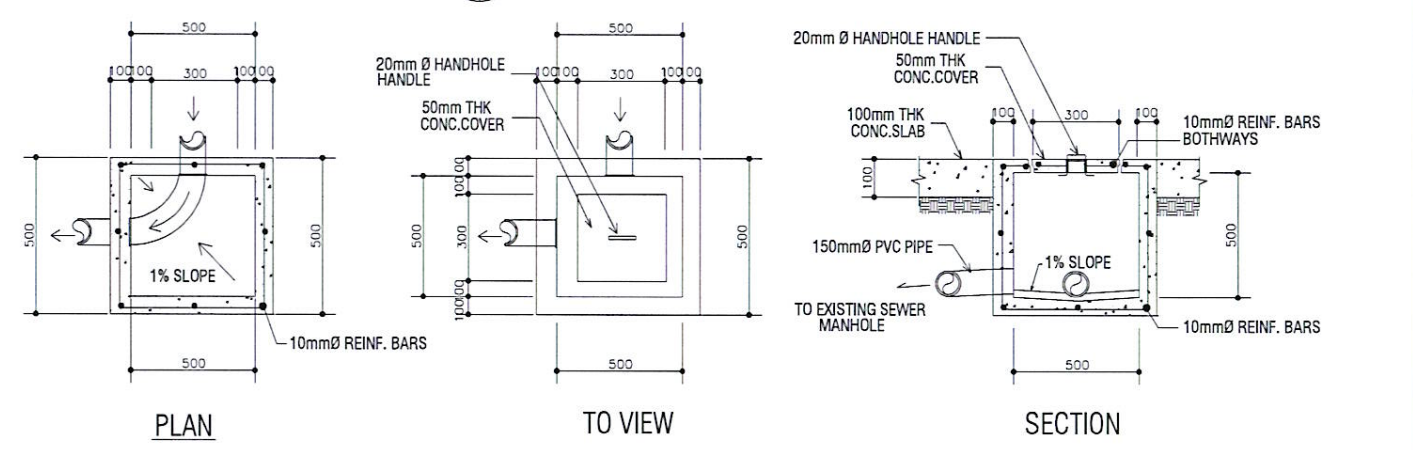
**1 SEWER LINE ISOMETRY**  
P3 P3 NOT TO SCALE



**2 WATER LINE ISOMETRY**  
P3 P3 NOT TO SCALE

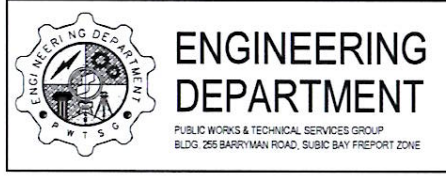


**3 SEPTIC TANK DETAIL**  
P3 P3 NOT TO SCALE



**4 SEWER HAND HOLE DETAIL**  
P3 P3 NOT TO SCALE

SATISFACTORY TO:   
**KENNETH LEMUEL G. REMENTILLA**  
DA FOR BUSINESS GROUP



SURVEY/CADD: CHECKED BY:   
DESIGNED BY: **EDISON D. ICO**  
DIVISION CHIEF III, PDD

REVIEWED BY:   
**GARY P. FERNANDEZ**  
MANAGER, ENGINEERING DEPT

RECOMMENDED BY:   
**MARCO A. ESTABILLO**  
DA FOR PWTSG

APPROVED BY:   
**ATTY. WILMA T. EISMA**  
CHAIRMAN & ADMINISTRATOR



PROJECT TITLE: **ONE STOP SHOP BLDG. 332**  
LOCATION: BURGOS STREET CBD AREA, SBFZ

SHEET NO. **P3**  
16 of 23