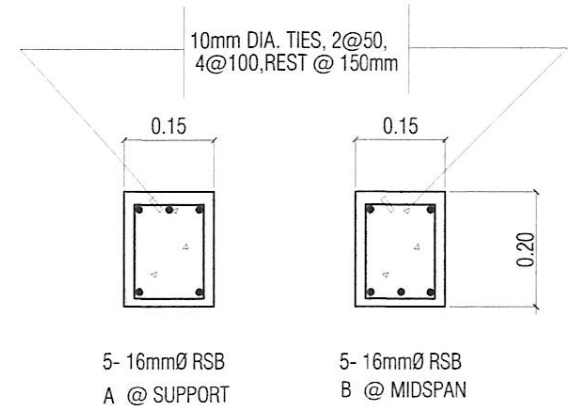
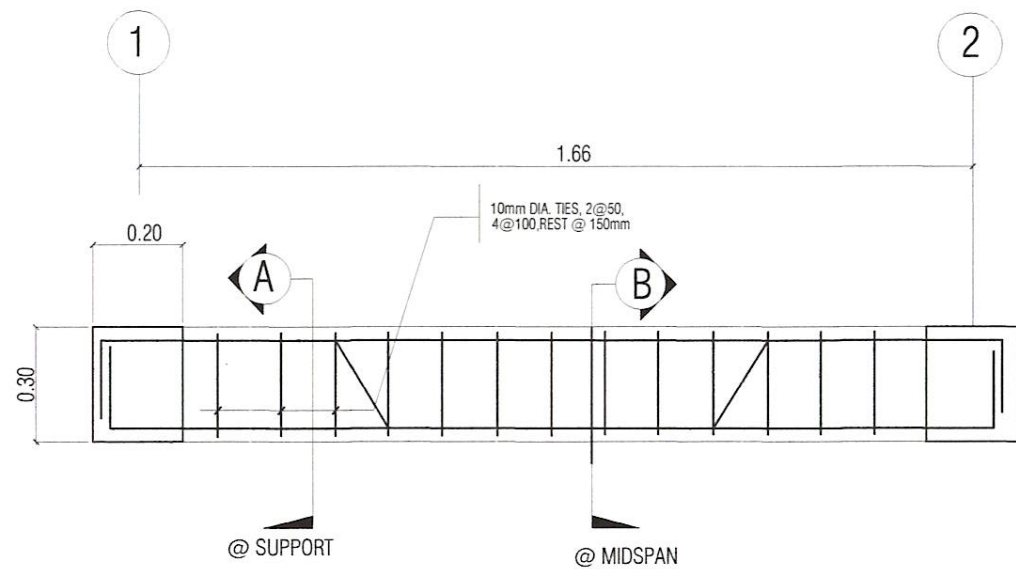


FLOOR LEVEL	BEAM MARK	BEAM DIMENSION (in/mm)		STEEL REINFORCEMENT						STIRRUPS 10mmØ (UNLESS NOTED OTHERWISE)		
				REBAR (mm/Ø)		LEFT		MID-SPAN			RIGHT	
				b	h	TOP	BOTTOM	TOP	BOTTOM		TOP	BOTTOM
	RB-1	150	200	16mmØ	3	2	2	3	3	2	10mm DIA. TIES, 2@50, 4@100, REST @ 150mm	

DESIGN CRITERIA:

- A. CONCRETE  
 $f'_c = 20.685 \text{ Mpa}$  (3,000 Psi), minimum compressive strength a 28 days unless otherwise specified.
- B. REBAR  
 $f_y = 275.8 \text{ Mpa}$  (40,000 Psi), minimum yield of reinforcing bars unless otherwise specified.
- C. STRUCTURAL STEEL  
 $f_y = 248 \text{ Mpa}$  (36 ksi), specified minimum yield strength unless otherwise specified.
- D. FOUNDATION  
 SBP=95.706 (2000 prf), was used in design for all footings. No footings shall rest on fill.

**1 ROOF FRAMING PLAN**  
 S3 S3 SCALE : 1:100 M



**4 TYPICAL BEAM DETAIL (RB-1)**  
 A-3 S-3 SCALE 1:20 M

SATISFACTORY TO  
  
**BEATRIX S. ANAGARAN**  
 MNGR, BUSINESS AND INVESTMENT GRP.



CADD BY:  
  
 DESIGNED BY:

CHECKED BY:  
  
**EDISON D. ICO**  
 DIV. CHIEF III POD

REVIEWED BY:  
  
**GARY P. FERNANDEZ**  
 MANAGER, ENGG DEPARTMENT

RECOMMENDED:  
  
**MARCO A. ESTABILLO**  
 DA FOR PWTSG

APPROVED:  
  
**ATTY. WILMAT T. EISMA**  
 CHAIRMAN & ADMINISTRATOR



PROJECT TITLE:  
**RENOVATION OF GBID OFFICE AT BLDG. 662**  
 LOC. BLDG 662 TAFT ST. SBFZ

SHEET NO.  
**S-3**  
 11 of 17