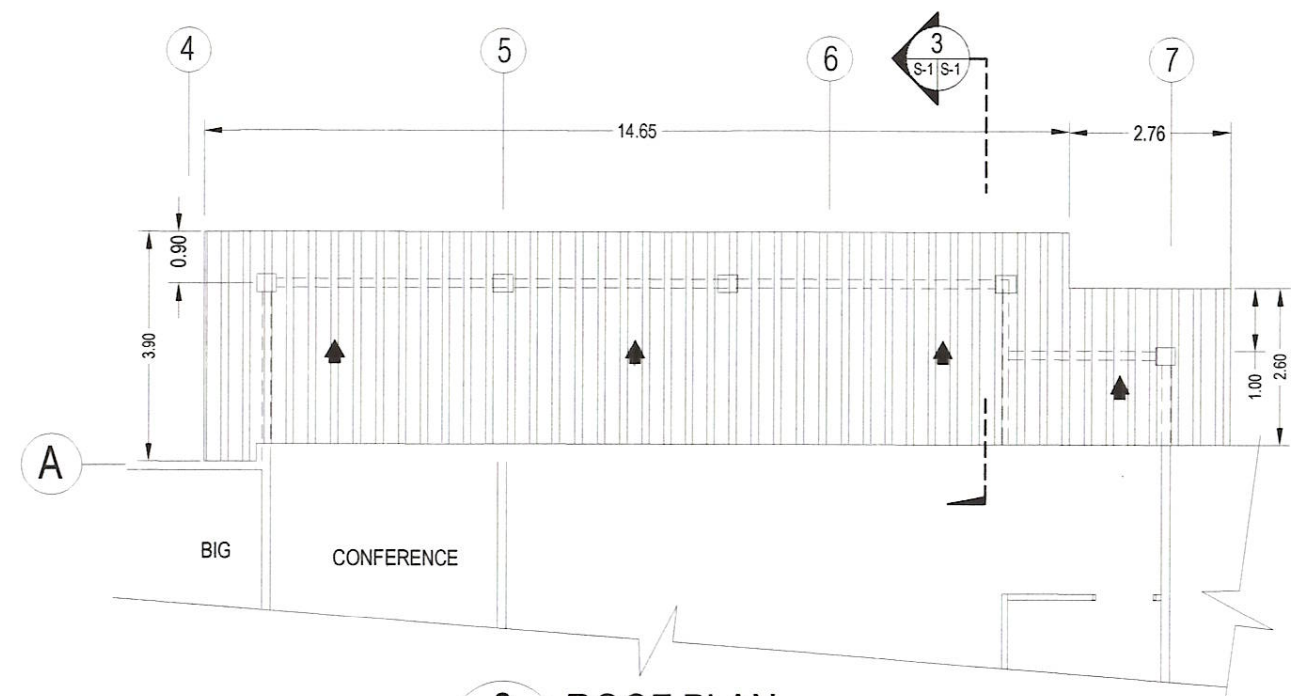
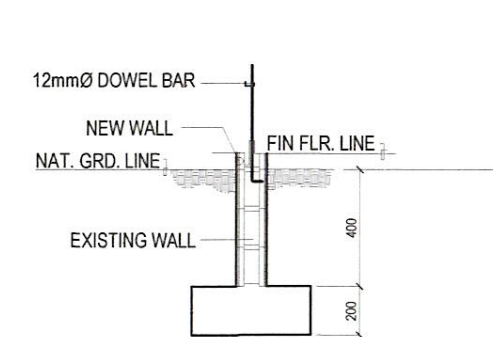


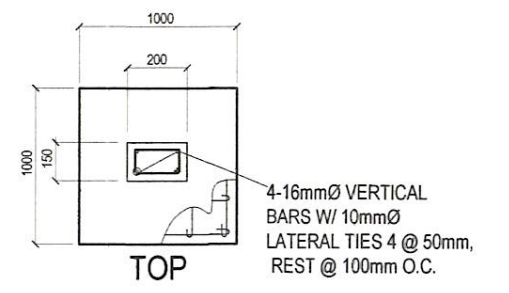
1 FOUNDATION PLAN
 S1 S1 SEE DET. CONNECTION
 A3 S1 SCALE : 1:100 M



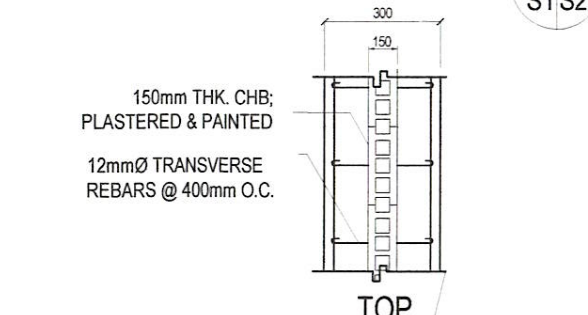
2 ROOF PLAN
 S1 S1 SCALE : 1:100 M



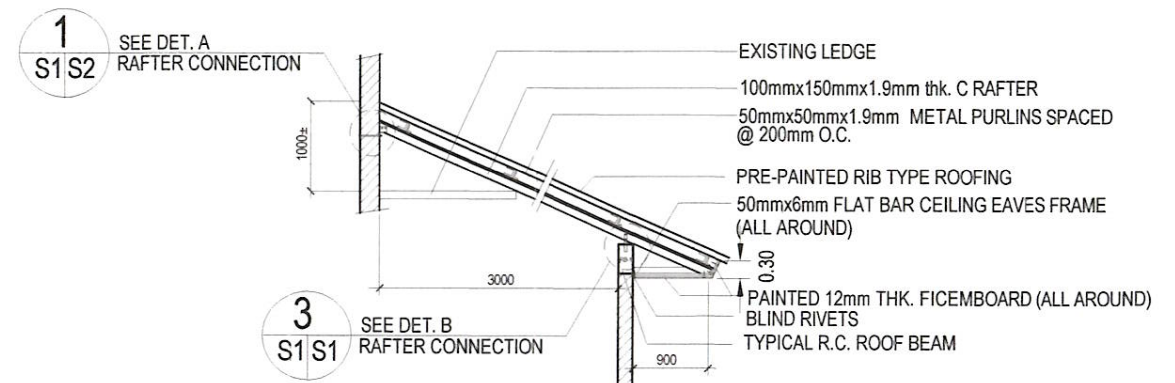
1 CONNECTION DETAIL
 S1 S1 SCALE : 1:30 M



SECTION DETAIL OF CF-1
 SCALE : 1:30 M



SECTION DETAIL OF WF-1
 SCALE : 1:30 M



3 RAFTER DETAIL
 S1 S1 SCALE : 1:100 M

SATISFACTORY TO:

BEATRIX S. ANAGARAN
 MNGR, BUSINESS AND INVESTMENT GRP.



CADD BY:
 DESIGNED:
EDISON D. ICO
 DIV. CHIEF III PDD

CHECKED BY:
GARY P. FERNANDEZ
 MANAGER, ENGG DEPARTMENT

REVIEWED BY:
MARCO A. ESTABILLO
 DA FOR PWTSG

APPROVED:
ATTY. WILNA T. EISMA
 CHAIRMAN & ADMINISTRATOR



PROJECT TITLE:
RENOVATION OF GBID OFFICE AT BLDG. 662
 LOC. BLDG 662 TAFT ST. SBFZ

SHEET NO.
S-1
 9 of 17