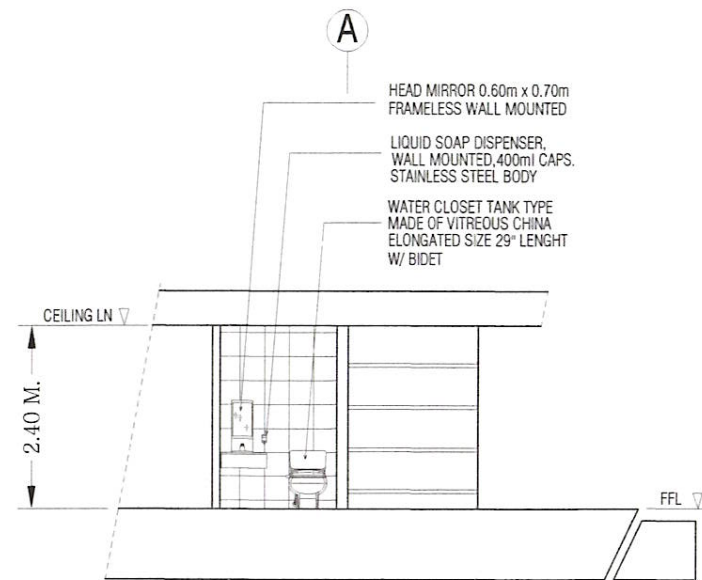
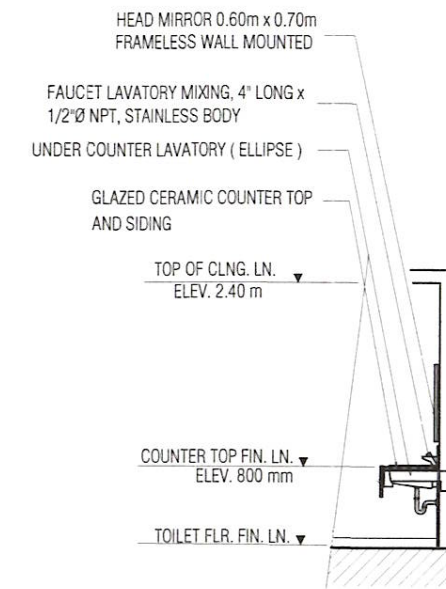


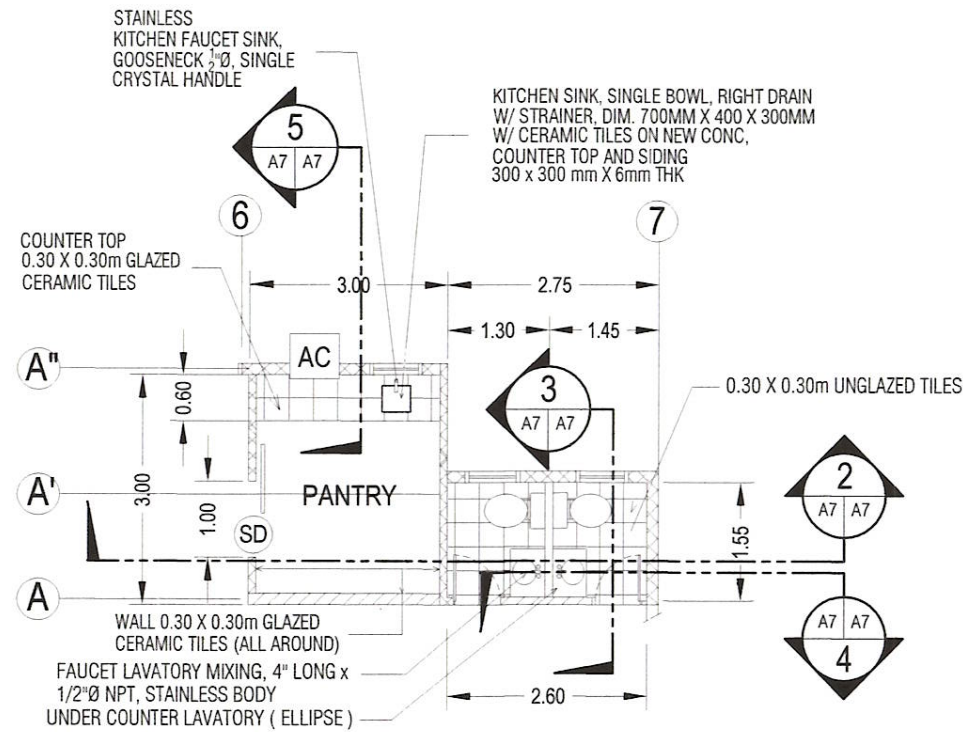
**2 SECTION**  
A7/A7 SCALE : 1:100 M



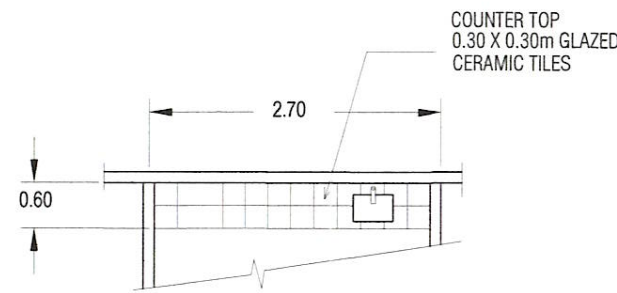
**3 SECTION**  
A7/A7 SCALE : 1:100 M



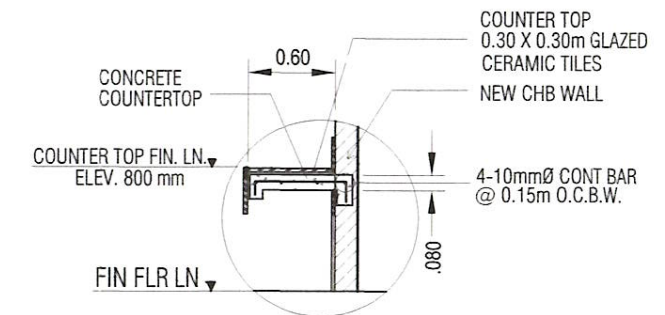
**4 SECTION**  
A7/A7 SCALE : 1:100 M



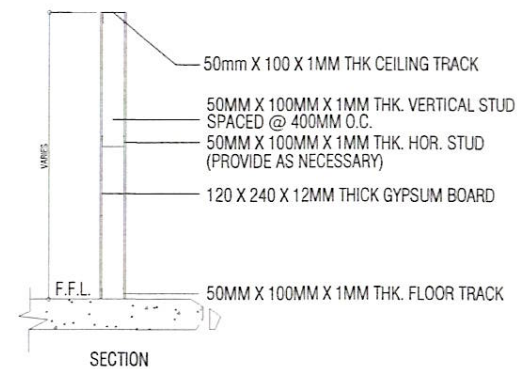
**1 PANTRY/ TOILET LAYOUT**  
A7/A7 SCALE : 1:100 M



**PLAN COUNTER TOP**  
SCALE : 1:60 M



**5 COUNTERTOP SECT / DET**  
A7/A7 SCALE : 1:50 M



**6 DRY WALL FULL PARTITION DETAIL @ OFFICES**  
A7/A7 SCALE : 1 : 25 MTS

SATISFACTORY TO:

*Beatrix S. Anagaran*

**BEATRIX S. ANAGARAN**  
MNGR, BUSINESS AND INVESTMENT GRP.