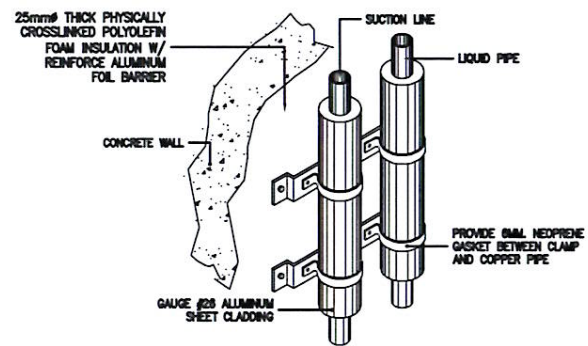


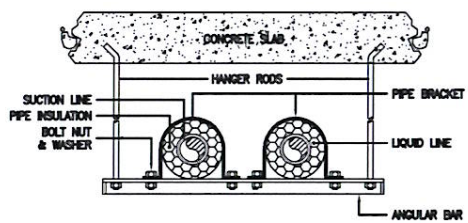
1 ACCU/FCU (WALL MOUNTED) INSTALLATION DETAIL

M-2M-2 SCALE: NTS



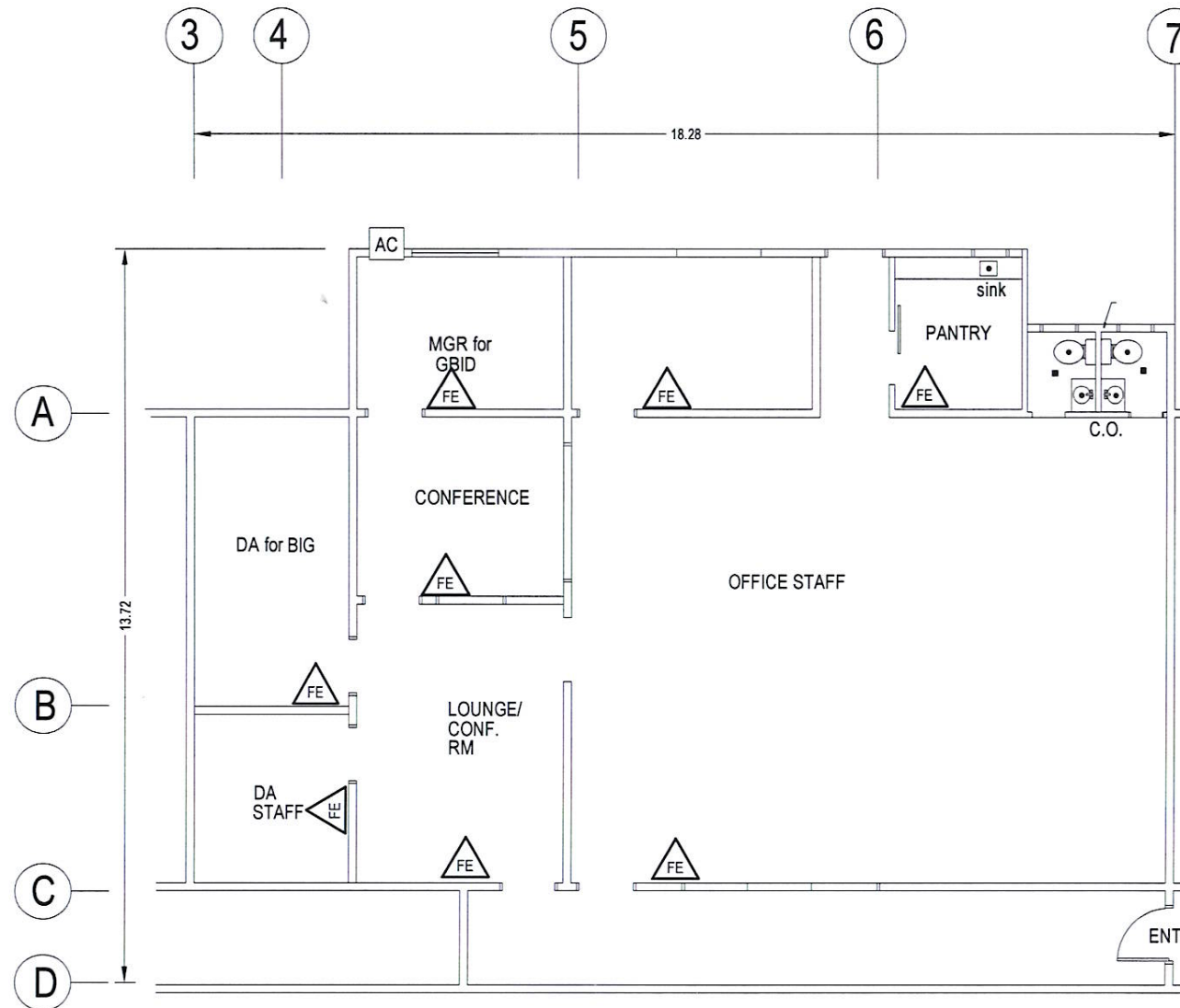
2 REFRIGERANT PIPE RISER ALONG WALL DETAIL

M-2M-2 SCALE: NTS



3 REFRIGERANT PIPE HANGER AND SUPPORT DETAIL

M-2M-2 SCALE: NTS



4 FIRE EXTINGUISHER LAYOUT

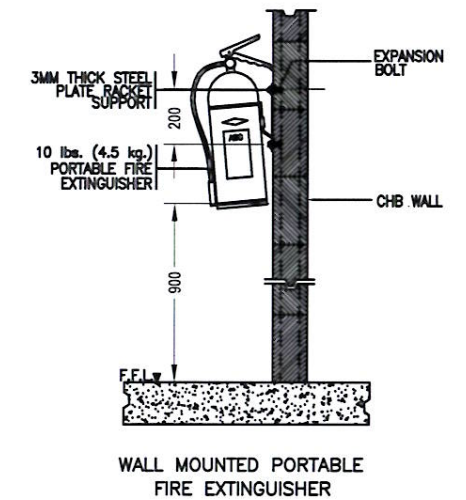
M-2M-2 SCALE: NTS

GENERAL NOTES:

FIR PROTECTION MUST CONFIRM WITH FIRE CODE OF THE PHILIPPINES AND NFPA 10 STANDARD FOR PORTABLE FIRE EXTINGUISHER

LEGEND:

FE 10 LBS ABC DRY CHEMICAL PORTABLE FIRE EXTINGUISHER



5 WALL MOUNTED PORTABLE FIRE EXTINGUISHER

5 FIRE EXTINGUISHER MOUNTING DETAIL

M-2M-2 SCALE: NTS

SATISFACTORY TO:

BEATRIX S. ANAGARAN
 MNGR, BUSINESS AND INVESTMENT GRP.



ENGINEERING DEPARTMENT
 PUBLIC WORKS & TECHNICAL SERVICES GROUP
 BLDG. 255 BARRYMAN ROAD, SUBIC BAY FREEPORT ZONE

CADD BY: JAT
 DESIGNED: JAT

CHECKED BY:
EDISON D. ICO
 DIV. CHIEF III PDD

REVIEWED BY:
GARY P. FERNANDEZ
 MANAGER, ENG'G DEPARTMENT

RECOMMENDED:
MARCO A. ESTABILLO
 DIA FOR FWTSG

APPROVED:
ATTY. WILMA T. EISMA
 CHAIRMAN & ADMINISTRATOR



PROJECT TITLE: RENOVAION OF GBID OFFICE AT BLDG. 662
 LOC. BLDG 662 TAFT ST. SBFZ

SHEET NO. M-2
 15 of 17