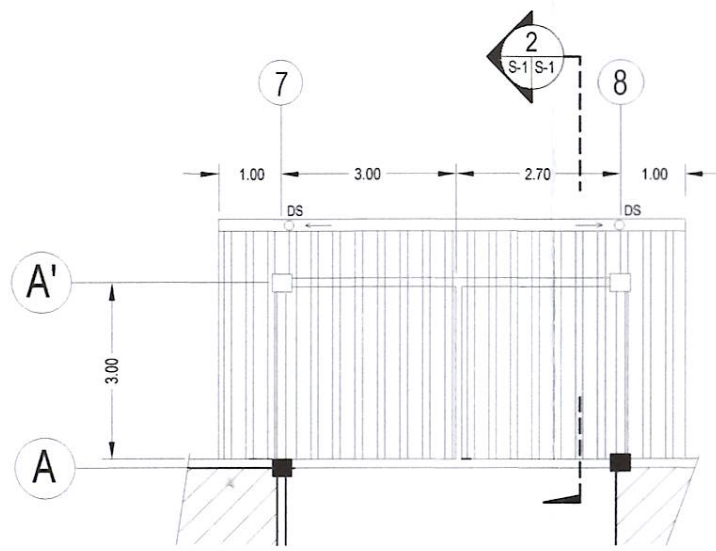
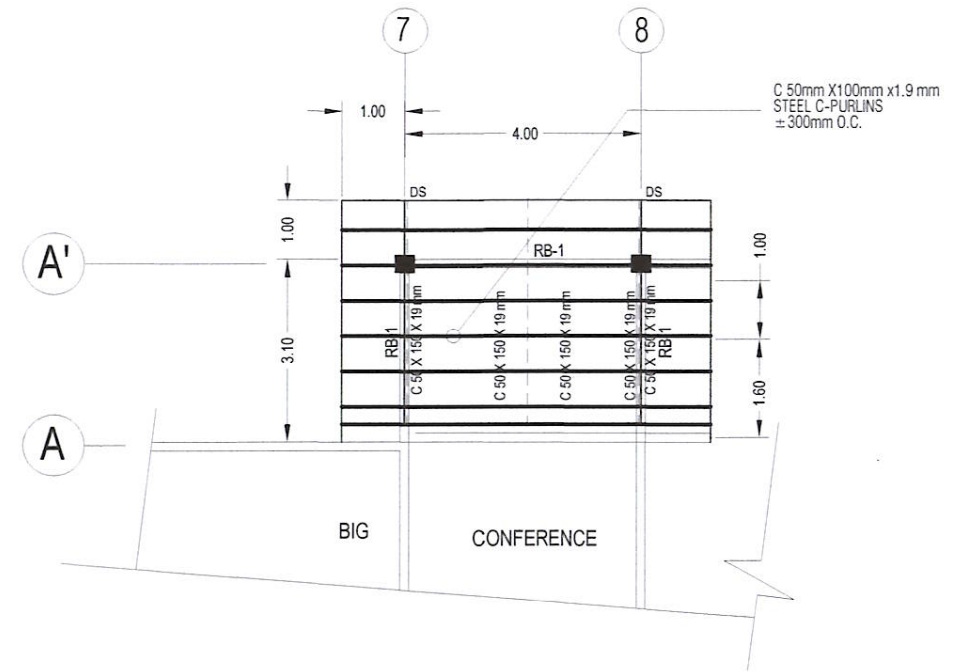


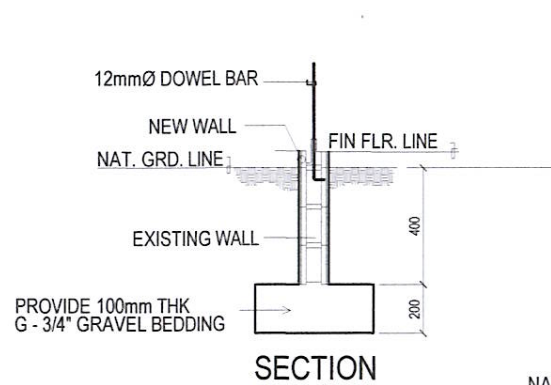
**1 FOUNDATION PLAN**  
S1 S1 SCALE : 1:100 M



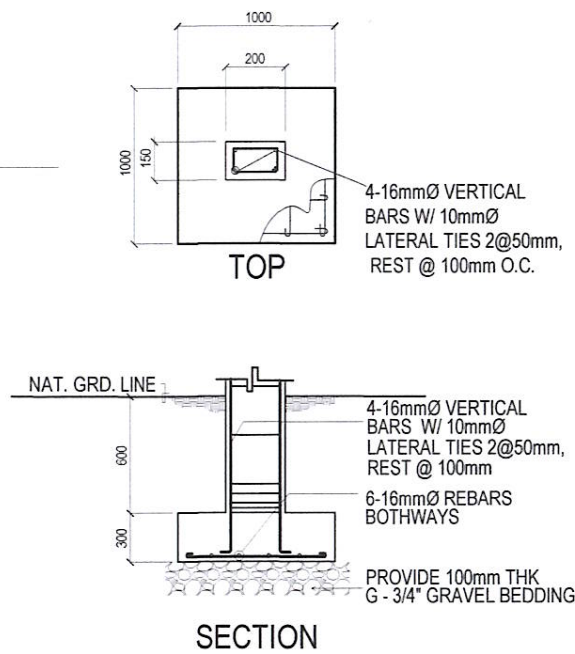
**2 ROOF PLAN**  
S1 S1 SCALE : 1:100 M



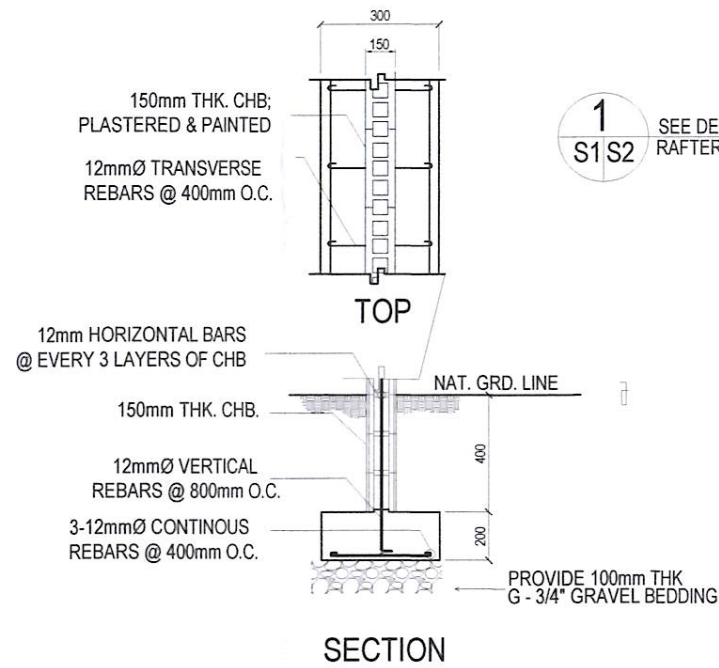
**1 ROOF FRAMING PLAN**  
S1 S1 SCALE : 1:100 M



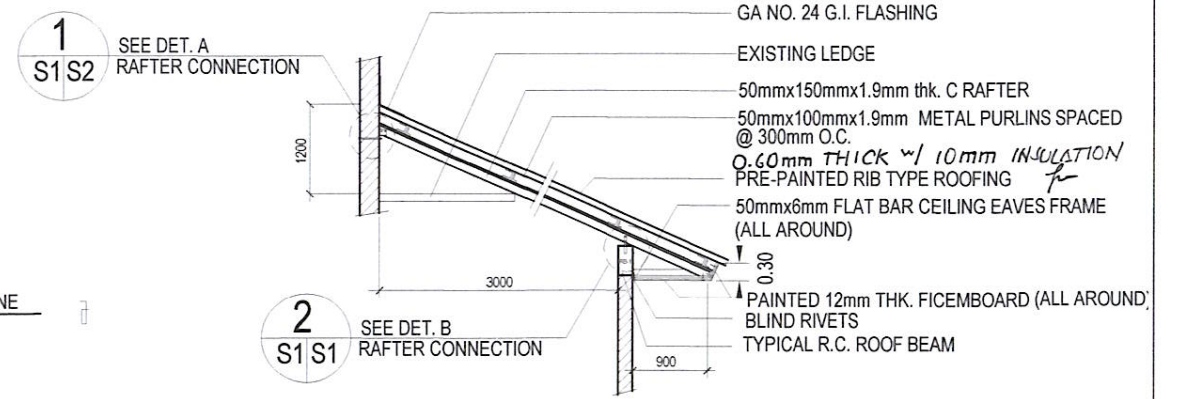
**4 CONNECTION DETAIL**  
S1 S1 SCALE : 1:30 M



**DETAIL OF CF-1**  
SCALE : 1:30 M



**DETAIL OF WF-1**  
SCALE : 1:30 M



**2 RAFTER DETAIL**  
S1 S1 SCALE : 1:100 M

SATISFACTORY TO:  
  
**CLEOFE C. ESPINELI**  
ENR. BID-1CT



**ENGINEERING DEPARTMENT**  
PUBLIC WORKS & TECHNICAL SERVICES GROUP  
BLDG. 255 BARRYMAN ROAD, SUBIC BAY FREEPORT ZONE

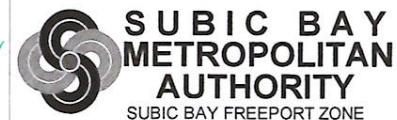
CADD BY:   
ASL  
DESIGNED:   
R/G

CHECKED BY:   
**EDISON D. ICO**  
DIV. CHIEF III PDD

REVIEWED BY:   
**GARY P. FERNANDEZ**  
MANAGER, ENG'G DEPARTMENT

RECOMMENDED:   
**MARCO A. ESTABILLO**  
DA FOR PWTSG

APPROVED:   
**ATTY. WILMA T. ESMA**  
CHAIRMAN & ADMINISTRATOR



PROJECT TITLE: **OFFICE RENOVATION AND REHABILITATION OF BID-ICT**  
LOC. BLDG 662 TAFT ST. SBZ

SHEET NO. **S-1**  
9 of 14