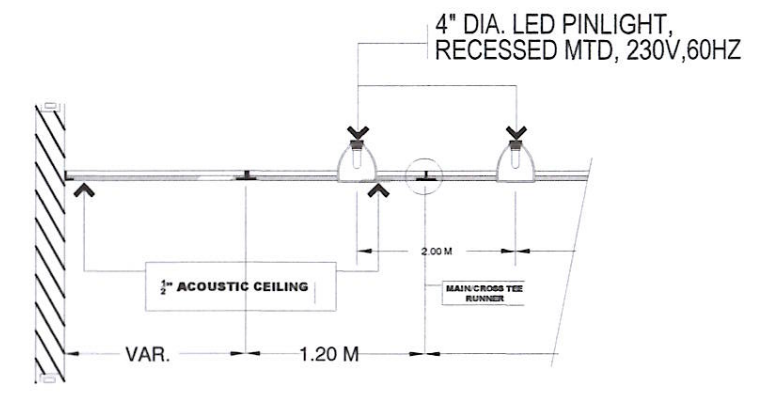
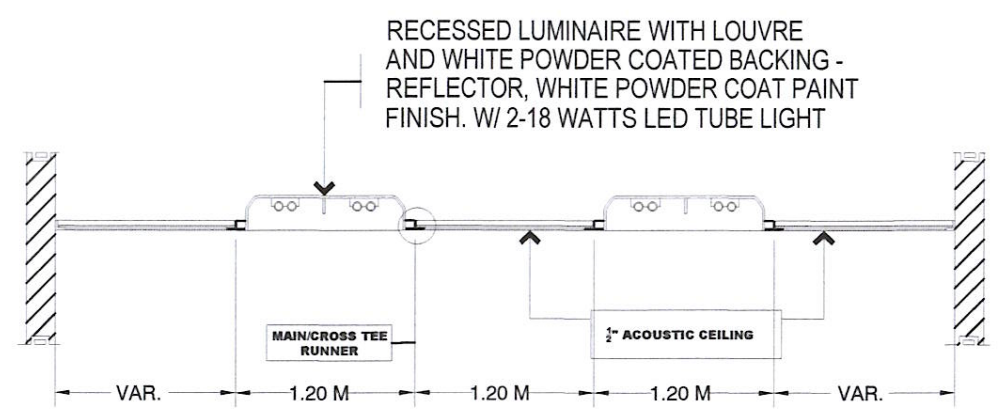


RECESSED LUMINAIRE WITH LOUVRE AND WHITE POWDER COATED BACKING - REFLECTOR, WHITE POWDER COAT PAINT FINISH. W/ 2-18 WATTS LED TUBE LIGHT

1 REFLECTED CEILING PLAN
A11A11 SCALE : 1:100 M



2 SECTION OF PINLIGHT DETAIL
A6 A6 SCALE 1:50 METERS



2 SECTION OF LIGHTING DETAIL
A7 A7 SCALE 1:50 METERS

SATISFACTORY TO:
Cleofe C. Espineli
CLEOFE C. ESPINELI
OFF. BID-ICT

| | | | | | | | | |
|--|------------------|---|---|--|---|--|---|------------------|
| ENGINEERING DEPARTMENT PUBLIC WORKS & TECHNICAL SERVICES GROUP BLDG. 255 BARRYMAN ROAD, SUBIC BAY FREEPORT ZONE | CADD BY: ASL | CHECKED BY: <i>Edison D. Ico</i> EDISON D. ICO DIV. CHIEF III PDD | REVIEWED BY: <i>Gary P. Fernandez</i> GARY P. FERNANDEZ MANAGER, ENG'G DEPARTMENT | RECOMMENDED: <i>Marco A. Estabillo</i> MARCO A. ESTABILLO DA FOR PWTSG | APPROVED: <i>Atty. Wilma T. Eisma</i> ATTY. WILMA T. EISMA CHAIRMAN & ADMINISTRATOR | SUBIC BAY METROPOLITAN AUTHORITY SUBIC BAY FREEPORT ZONE | PROJECT TITLE: OFFICE RENOVATION AND REHABILITATION OF BID-ICT | SHEET NO. A-7 |
| | DESIGNED: ASL | | | | | | LOC. BLDG 662 TAFT ST. SBFZ | 8 of 14 |