

1  
E1 E1

### GENERAL NOTES

ALL ELECTRICAL WORKS HEREIN SHALL BE DONE IN ACCORDANCE WITH THE PROVISIONS OF THE LATEST EDITION OF THE PHILIPPINE ELECTRICAL CODE, THE LAWS AND ORDINANCES OF THE LOCAL CODE ENFORCING AUTHORITIES AND THE REQUIREMENTS OF THE LOCAL POWER AND TELEPHONE COMPANY.

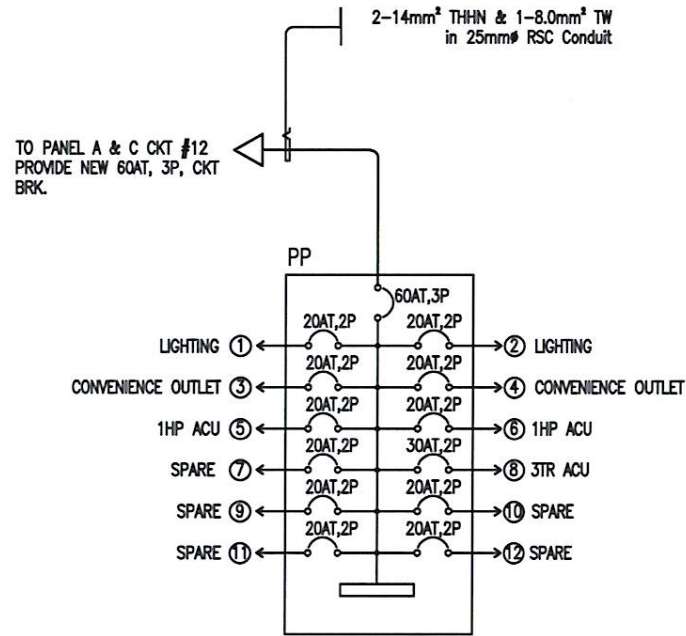
- SERVICE POWER SHALL BE THREE PHASE, THREE WIRES W/ GROUND, 230 VOLTS, 60 HERTZ SYSTEM.
- ALL WIRING METHOD FOR LIGHTING, POWER, TELEPHONE AND CATV SHALL BE DONE IN PVC PIPE FOR ALL EMBEDDED IN CONCRETE SLAB AND RSC PIPE FOR FIRE ALARM SYSTEM, EXPOSED CONDUIT LAYOUT, FEEDER DISTRIBUTION AND MAJOR POWER CONDUIT RISER.
- SMALLEST BRANCH CIRCUIT WIRE SHALL BE 3.5 mm<sup>2</sup> THHN FOR POWER AND LIGHTING SYSTEM IN RACEWAY 15 mm<sup>2</sup> TRADE SIZE CONDUIT. WIRE SHALL BE INSULATED FOR 600 VOLTS.
- ALL BRANCH CIRCUIT HOMERUN SHALL BE INSTALLED AS INDICATED IN THE PLAN. EXPOSED CIRCUIT RUN SHALL BE INSTALLED PARALLEL TO OR PERPENDICULAR WITH THE BUILDING LINE AND SUPPORTED BY CONDUIT CLAMPS EVERY 1.5 METERS, DIAGONAL CONDUIT RUN SHALL NOT BE ACCEPTED.
- ALL PANELBOARD SHALL BE PROVIDED WITH GROUNDING TERMINALS FOR SOLID AND NEUTRAL, GROUNDING WIRE SHALL BE CONNECTED TO A GROUND ROD.
- ALL BRANCH CIRCUIT HOMERUN FOR POWER AND LIGHTING SHALL NOT BE COMBINED IN THE SAME RACEWAY.
- ALL METALLIC CONDUIT, CABINET, BOXES AND EQUIPMENT SHALL BE PROPERLY GROUNDING AND BONDED.
- ALL MATERIALS TO BE USED SHALL BE NEW AND APPROVED FOR THE LOCATION AND PURPOSES.
- ALL MOLDED CASE CIRCUIT BREAKERS FOR PUMPS AND MOTORS SHALL BE INDUSTRIAL TYPE.
- ALL RECEPTACLE OUTLET SHALL BE PROPERLY GROUNDING TO THE BOX BY MEANS OF GROUNDING LUGS.
- MOUNTING HEIGHT NOT SHOWN ON SCHEDULE ARE AS FOLLOWS:
  - DUPLEX CONVENIENCE OUTLET— 0.30 METER ABOVE FLOOR FINISH @ CENTER UNLESS OTHERWISE INDICATED BY THE FIELD CONDITIONS.
- ALL WIRES AND CABLES SHALL BE COLOR CODED AS FOLLOWS:
 

PHASE A	_____	RED
PHASE B	_____	BLACK
PHASE C	_____	BLUE
NEUTRAL	_____	WHITE
GROUND	_____	GREEN
- ALL ELECTRICAL WORKS HEREIN SHALL BE DONE UNDER THE DIRECT AND IMMEDIATE SUPERVISION OF A DULY QUALIFIED LICENSED ELECTRICAL ENGINEER.

2  
E1 E1

### LEGEND & SYMBOLS

- EMERGENCY LIGHT WITH BATTERY
- 18W PINLIGHT, 6INCH DIA. RECESSED MOUNTED
- SINGLE TUMBLER SWITCH / THREE WAY SWITCH
- TWO GANG TUMBLER SWITCH, NUMBER DENOTES NUMBER OF GANG IN A PLATE, SMALL LETTER DENOTES LIGHT CONTROLLED
- EXIT LIGHTS W/ BATTERY
- RECESSED MOUNTED TROFFER LAMP, WITH ALUMINUM DIFFUSER W/ 2X20W LED LAMP
- WALL MOUNTED DUPLEX CONVENIENCE OUTLET, 15A, PARALLEL SLOTS, GROUNDING TYPE
- CONDUIT RUN EMBEDDED OR CONCEALED IN CONCRETE FLOOR SLAB OR WALL
- CONDUIT BRANCH CIRCUIT HOMERUN TO PANELBOARD
- POWER AND LIGHTING PANEL
- CIRCUIT HOMERUN DESIGNATION, UPPER PART DENOTES POWER SOURCE OF THE CIRCUIT WHILE LOWER HALF DENOTES CIRCUIT DESIGNATION.
- CIRCUIT BREAKER, RATING AS INDICATED



3  
E1 E1

### POWER RISER DIAGRAM

CKT NO.	LOAD DESCRIPTION	VOLT	VOLT-AMPERE	AMPERE LOAD				NUMBER & SIZE				
				AB	BC	CA	ABC	AT	AF	P	WIRE	CONDUIT
1	15-2X20W LED TROFFER LAMP, 1-40W EM & 2-40W EXIT	230	720	3.13				20	50	2	2-3.5mm <sup>2</sup> THHN & 1-3.5mm <sup>2</sup> THHN	15mm DIA. IMC
2	9-18W LED PL, 2-2X20W LED TROFFER	230	243	1.06				20	50	2	2-3.5mm <sup>2</sup> THHN & 1-3.5mm <sup>2</sup> THHN	15mm DIA. IMC
3	9-CONVENIENCE OUTLET	230	1620			7.04		20	50	2	2-3.5mm <sup>2</sup> THHN & 1-3.5mm <sup>2</sup> THHN	15mm DIA. IMC
4	5-CONVENIENCE OUTLET	230	900			3.91		20	50	2	2-3.5mm <sup>2</sup> THHN & 1-3.5mm <sup>2</sup> THHN	15mm DIA. IMC
5	1HP SPLIT TYPE ACU INVERTER TYPE	230	980		4.26			30	50	2	2-5.5mm <sup>2</sup> THHN & 1-5.5mm <sup>2</sup> THHN	15mm DIA. IMC
6	1HP SPLIT TYPE ACU INVERTER TYPE	230	980		4.26			20	50	2	2-3.5mm <sup>2</sup> THHN & 1-3.5mm <sup>2</sup> THHN	15mm DIA. IMC
7	SPARE	230	980	4.26				20	50	2		
8	3TR SPLIT TYPE ACU INVERTER TYPE	230	3600	15.65				30	50	2	2-5.5mm <sup>2</sup> THHN & 1-5.5mm <sup>2</sup> THHN	15mm DIA. IMC
9	SPARE	230	1,000			4.35		20	50	2		
10	SPARE	230	1,000			4.35		20	50	2		
11	SPARE	230	1,000			4.35		20	50	2		
12	SPARE	230	1,000			4.35		20	50	2		
TOTAL CONNECTED LOAD:			14,023	24.10	17.22	19.65	0.00					

IL @ 80% D.F. = ((24.10 X 1.732) X 0.8) + (25% OF 15.65)  
 = 33.39 + 3.91304  
 = 37.31 A  
 USE : 3-14mm<sup>2</sup> THHN & 1-8.0mm<sup>2</sup> THHN IN 25mm DIA. RSC  
 CKT BREAKER : 60AT, 100AF, 3P, 230V, 60HZ CKT BRK BOLT-ON

4  
E1 E1

### LOAD SCHEDULE

SCALE

SATISFACTORY TO  
  
 CLEOFE ESPINELI  
 OIC BID-ICT



DESIGNED BY:   
 CHECKED BY:   
 DESIGNED BY:   
 NVC

EDISON D. ICO  
 DIV CHIEF III, PDD

GARY P. FERNANDEZ  
 MANAGER, ENGINEERING DEPT

MARCO A. ESTABILLO  
 DA FOR PWTS&

WILMA T. EISMA  
 CHAIRPERSON & ADMINISTRATOR



PROJECT TITLE:  
 OFFICE RENOVATION AND REHABILITATION BID-ICT  
 LOCATION: BLDG. 662, BARRYMAN RD. SBFZ

SHEET NO.  
 E1  
 12 of 14